

HOFMANN®



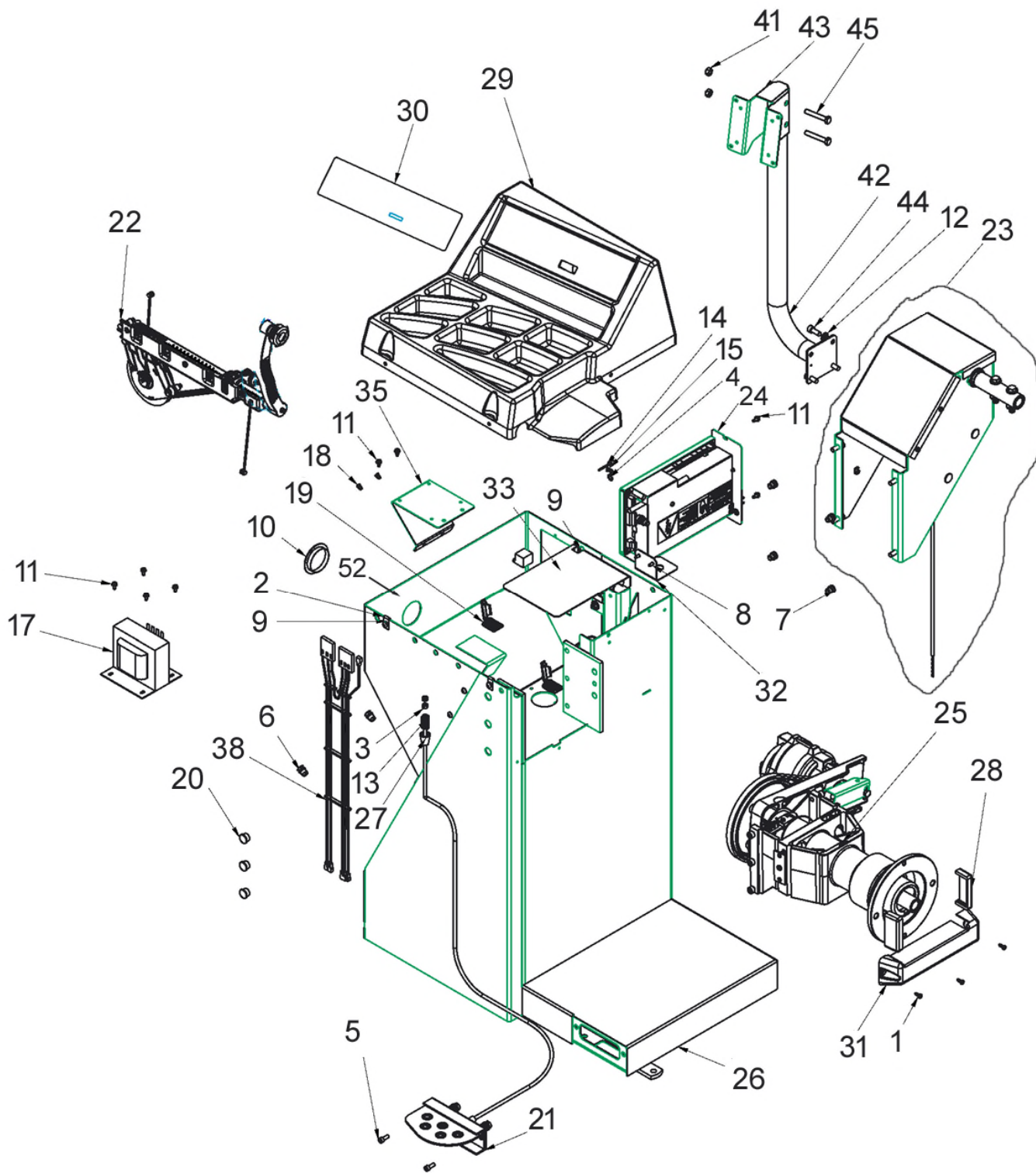
geodyna 7200s

Spare Parts List

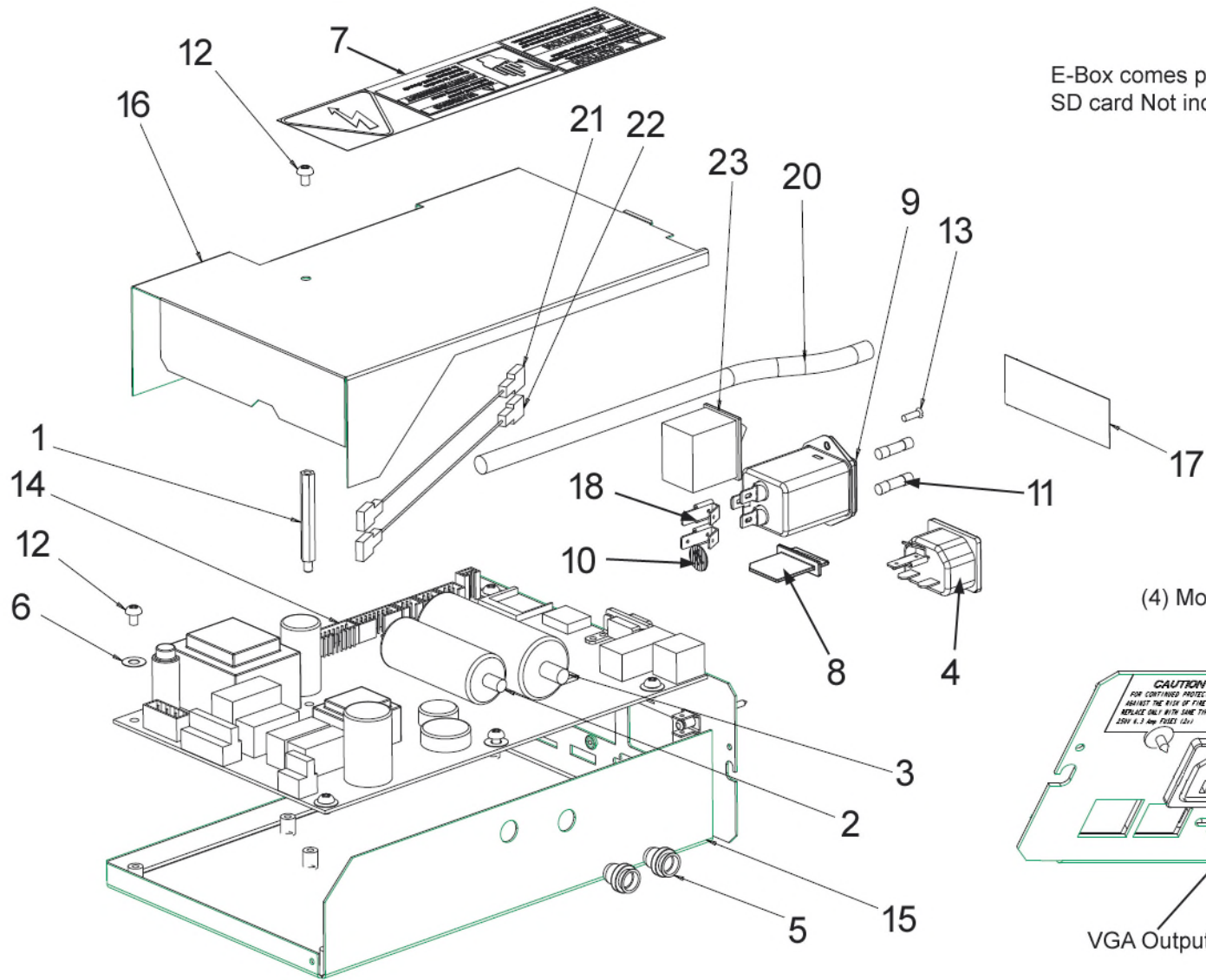


BOM EEWB746AS Geodyna 7200

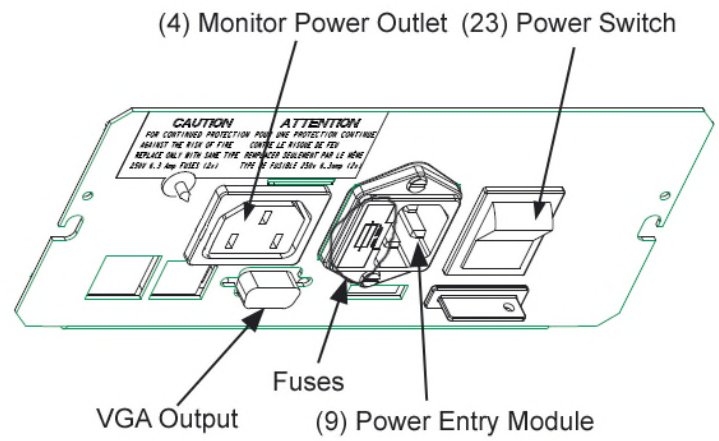
Part Number	Description
EAA0369J47B	Assy - Geo 7200S 115V
EAK0309J26A	Kit-Monitor, Video Bal
EAA0369J66A	Hood Assembly 42" With Sonar
EAW0290J26A	Cord-Power 115V
ZEEWB746A9	Lit Pack-Geo 7200
00089209000	Cord-Power 115V
EAC0060G02A	Flange-Cover, Accessory
EAM0006G01A	Hook-Accessory Storage
00058839000	Tool-Pdq Weight
EAA0263G79A	Quick Nut Kit
EAM0005D40A	Calibration Weight
EAK0309J28A	Kit – 4 Cones
EAC0058D68A	Spacer, 29660
EAL0442G24A	Decal-Model Geodyna 7200S
EAL0341J63A	Label-Patent
EAL0341J57A	Label-Caution
EAL0420J33A	Label-Caution Max Wheel Dia and Weight
EAL0341J96A	Label-Balancer Warning Rear
EAL0341J97A	Label-Balancer Warning Side
EAL0343J76B	Serial Label Document



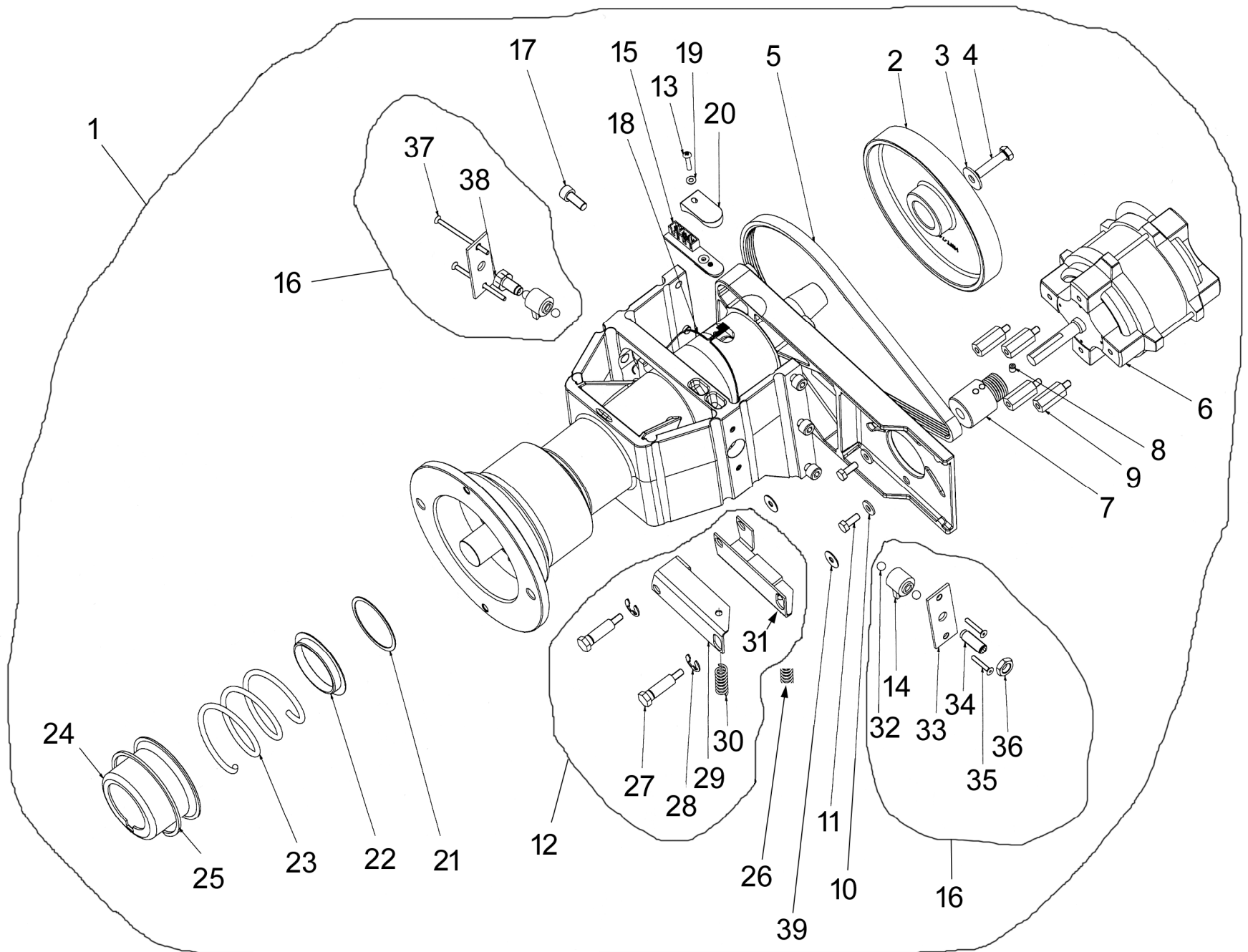
Ref	Qty	Part Number	Description	Ref	Qty	Part Number	Description
1	3	1-07424A	Screw-Slf Tp 8-18 X 1/2 Blk	26	1	EAS2101G16AC	Balancer Cabinet Small Blue
2	5	1-07439A	Nut-Tinnerman 1/4-20	27	1	EAC0053J15A	Brake Spacer
3	2	1-11633	Nut M6 X 5, 2mm Thk Blk	28	2	EAC0060G08A	Protector-Spring 25509
4	1	1-1548	Washer-6mm	29	1	EAC0100G59A	Weight Tray
5	2	1-16309	Screw - Shcs M6 X 16mm	30	1	EAL0442G21A	Keyboard Flat
6	4	1-17659A	Nutsert-M10	31	1	EAM0062G50A	Cover-Vibratory System
7	8	1-18359A	Nutsert-M8 X 1.25	32	1	EAS2113J77A	Bracket-Cal Weight
8	2	1-18523A1	Screw-Ph Pan Tp M4, 8 X 13 Blk	33	1	EAS2113J78A	Shield-Fire S2/08J0705
9	5	1-2509	Screw-Bhcs 1/4-20 X 5/8	34	4	EAS2116G12A	Spacer-Vib .2 mm
10	1	1-2676	Plug-Hole 2 Dia Black	35	1	EAS2118J60A	Plate-Transformer S2 Cab
11	8	1-3724	Screw-M5 X 10 Thread Forming	36	1	EAW0233J07A	Harness-Wiring, Transformer
12	4	1-10041	Washer, Plain M8	39	1	2-30348	Connector Wago 733-102 Female
13	1	1-6668	Spring Compression	40	1	EAW0239D07A	Cable-Grounding 600mm
14	1	1-7558	++Rivet	41	2	1-10033	Nut-Esna M8
15	1	2-23201	Terminal-Lug Pop Rivet	42	1	EAS2128J52A	Pipe Assy Monitor Support
16	3	2-15457A	Clip Flat Cable Adhesive	43	1	EAS2128J53A	Mount Monitor Vesa
17	1	7-16201A	Transformer-500 VA	44	4	1-17709	Bolt-M8 X 1.29 X 20mm
18	2	8-02340A	Clip-Key Hole Nylon-Black	45	2	1-39901A	Screw-M8 X 50 Hex Hd Blk
19	3	5-09345A	Flat Cable Clamp, Screw Mount	46	2	5-06345A	Cable Tie-130mm X 4.8mm Wide
20	3	8-7216	Plug-Hole 16mm	47	3	5-09145A	Push Rivet , Natural Nylon
21	1	EAA0263G07A	Brake Pedal Assy	48	1	5-09245A	Cable Tie Holder Fth-34, Screw
22	1	EAA0471G16A	S2 Sape 1D-2D Assy	49	1	5-09445A	Self Adhesive Cable Tie Mount
23	1	EAA0369J53A	Backpack Assy	50	3	5-845	Tie Wrap
24	1	EAA0481G50AC	Electronic Box w\Prog. card	51	1	2-17947A	Socket-Multipole Wago
25	1	EAA0364G85A	Vibratory	52	1	EAS2178J09A	Side Cover for Cabinet



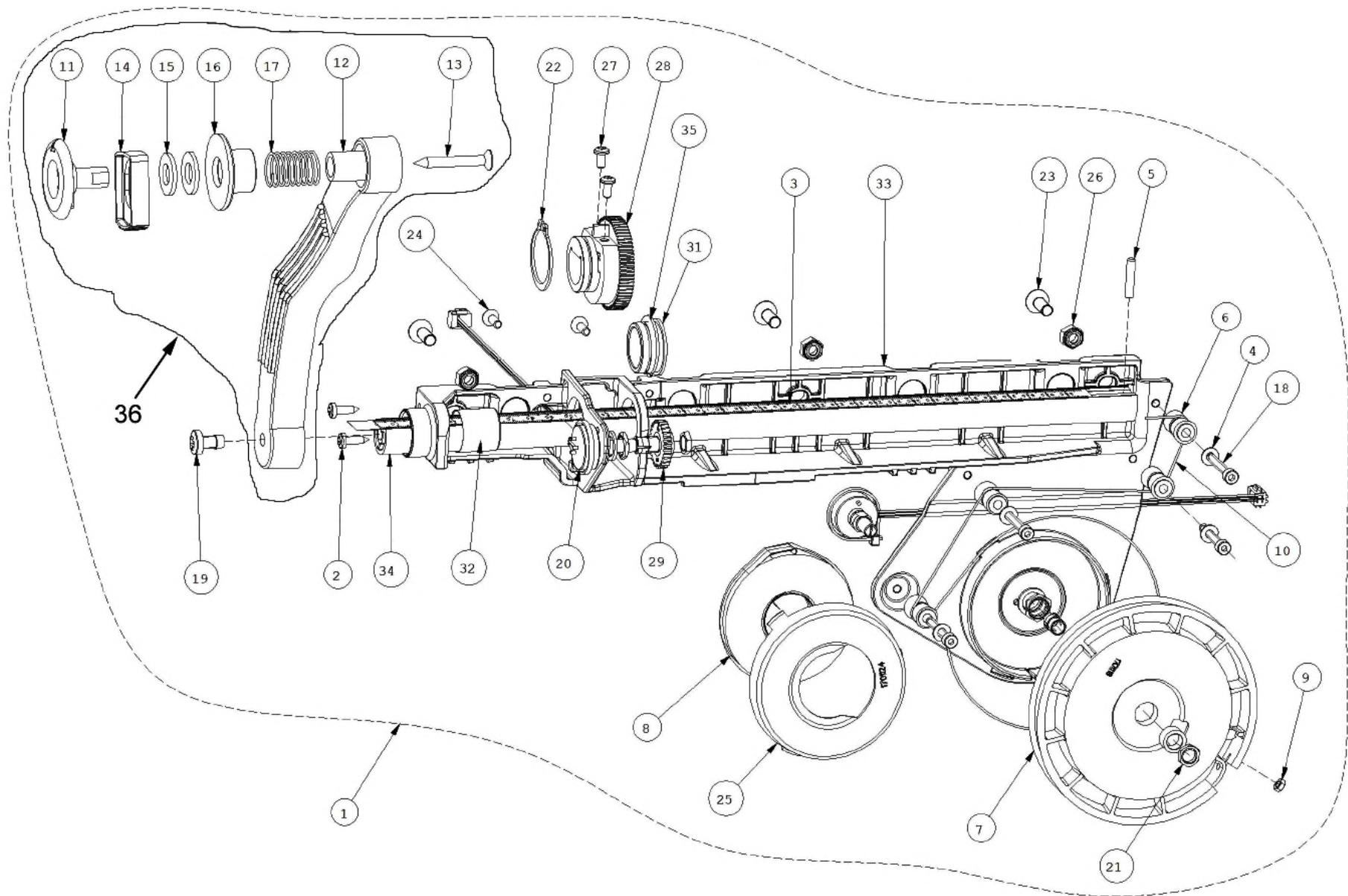
E-Box comes programmed with 3-86526AF1
SD card Not included



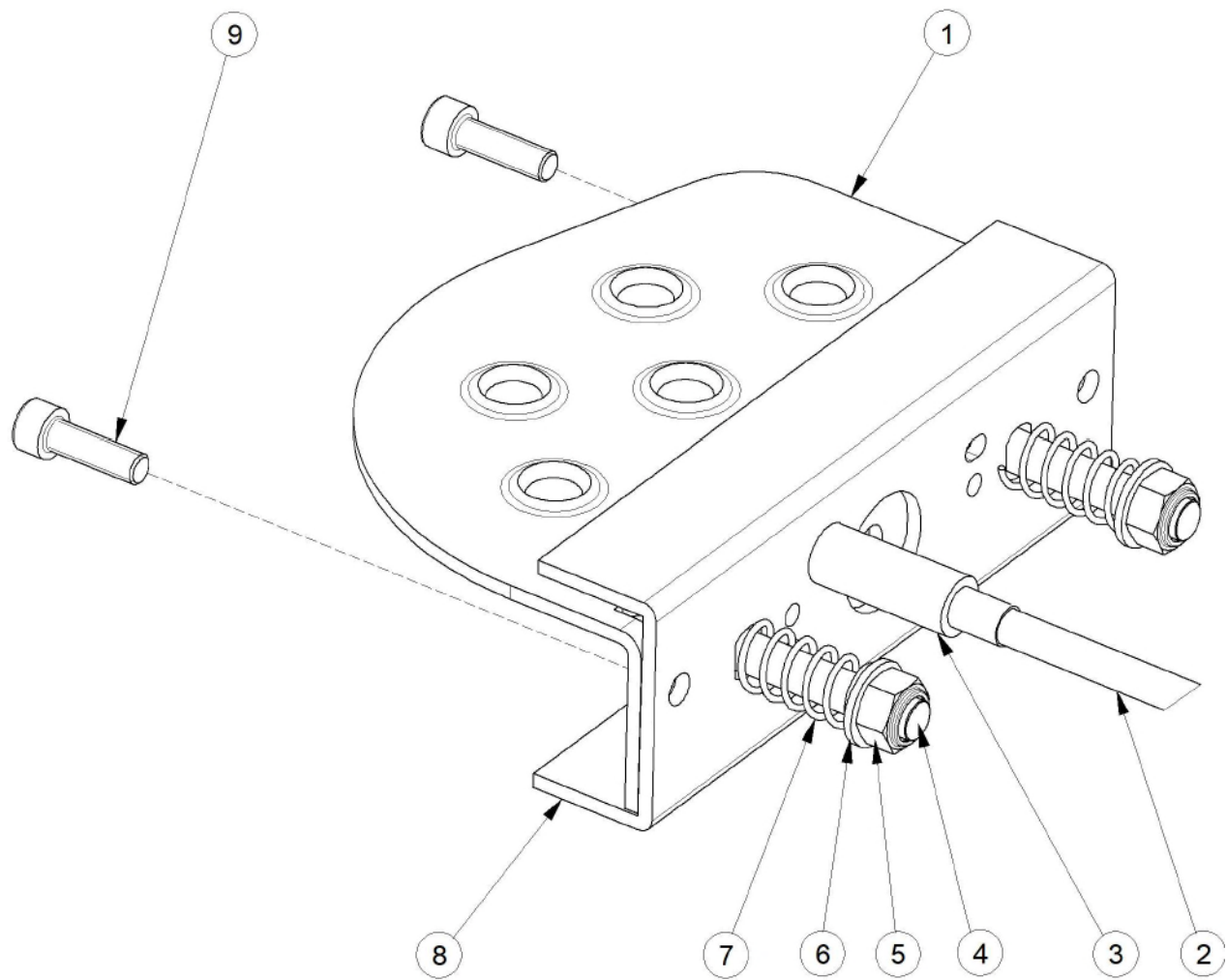
Ref	Qty	Part Number	Description
1	1	1-16661A	Spacer M4X45
2	1	2-01429A	Capacitor - 10Uf, 400V
3	1	2-01529A	Capacitor - 20Uf, 400V
4	1	2-63348A	Connector AC Outlet
5	2	1-18359A	Threaded Insert M8X1,25
6	6	1-5547	Washer-Lock, Ext, M4
7	1	EAL0341J98A	Label-Balancer Warnings, Ebox
8	1	EAC0087G52A	Memory Card Plug
9	1	2-68948A	Power Entry Module
10	1	8-23762A	Label - Earth Symbol
11	2	2-21251A	Fuse-Time Delay, 250V, 6.3 Amp
12	7	1-19804	Screw, Phil Pan Head M4X6
13	2	1-11103	M3 X 10Mm Flat Head Screw
14	1	EAP0276G80A2	L.E. Video Integrated
15	1	EAA0369J63A	Frame Assy For L. E. Video lbp
16	1	EAS2128J74A	Cover For L.E. Video
17	1	EAL0349G44A	Fuses Caution
18	3	2-31001A	Terminal - Quick Connect
19	1	EAW0233J06A	Cable - lec, Jumper
20	1	EAW0240G79A	Main Cord
21	2	EAW0243P22A	Link Wire Brown
22	2	EAW0243P23A	Link Wire Blue
23	1	2-13258A	Main Switch



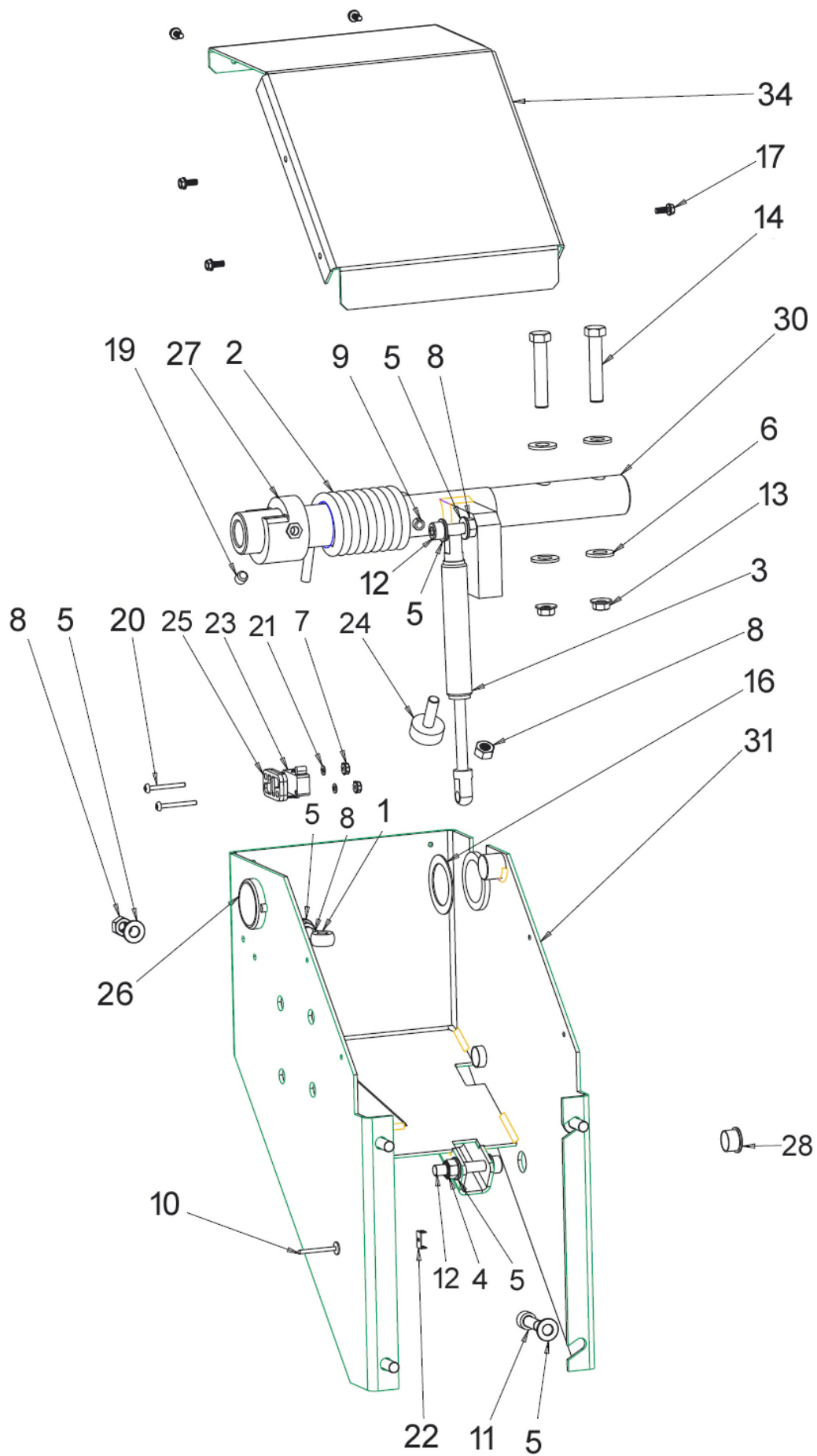
Ref	Qty	Part No	Description	Ref	Qty	Part No	Description
1	1	EAA0364G85A	Vibratory	21	1	1-17641	Washer
2	1	EAM0005D12A	Drive wheel	22	1	EAC0058D14A	Spring Centering Ring
3	1	1-17841	Washer	23	1	1-07768A	Compression Spring
4	1	1-32901	Screw, Hex Cap	24	1	EAS2025D14A	Spring Case Spring Case
5	1	8-3531	Belt 5 PJ 711	25	1	1-13077	Circlip
6	1	2-59366A	Motor	26	2	EAM0005D18A	Spacer
7	1	EAM0005D08A	Motor Pulley	27	2	EAM0005D10A	Bolt
8	1	1-28410	Screw	28	2	1-13177	Circlip
9	4	EAM0005D09A	Motor Distance Bolt	29	1	EAA0260D56A	Brake Lever A
10	2	1-16641	Washer	30	1	1-6568	Compression Spring
11	2	1-46701A	Screw Hex Head	31	1	EAA0260D57A	Brake Lever B
12	1	EAA0332G12A	Main Shaft Lock Assembly	32	4	8-1144	Steel Ball D8 mm
13	1	1-35006A	Screw	33	2	1-2967	Pretension Spring Drawing
14	2	EAA0260D59A	Transducer	34	2	EAM0005D07A	Setscrew Hex Socket
15	1	EAA0344G00A	Opto-Encoder Board With Lens	35	2	1-17403	Screw Hex Socket
16	1	EAA0328G16A	Transducer Fixing Unit	36	1	1-04634A	Nut Hex Low
17	6	1-17709	Screw	37	2	1-19903A	Screw Hex Socket
18	1	EAW0240G67A	Ribbon Cable W/ Temp Sensor	38	1	1-11833	Hexagon Nut
19	1	1-9641	Washer	39	2	1-36541A	Shim Ring
20	1	EAC0094G11A	Encoder Board Protection				



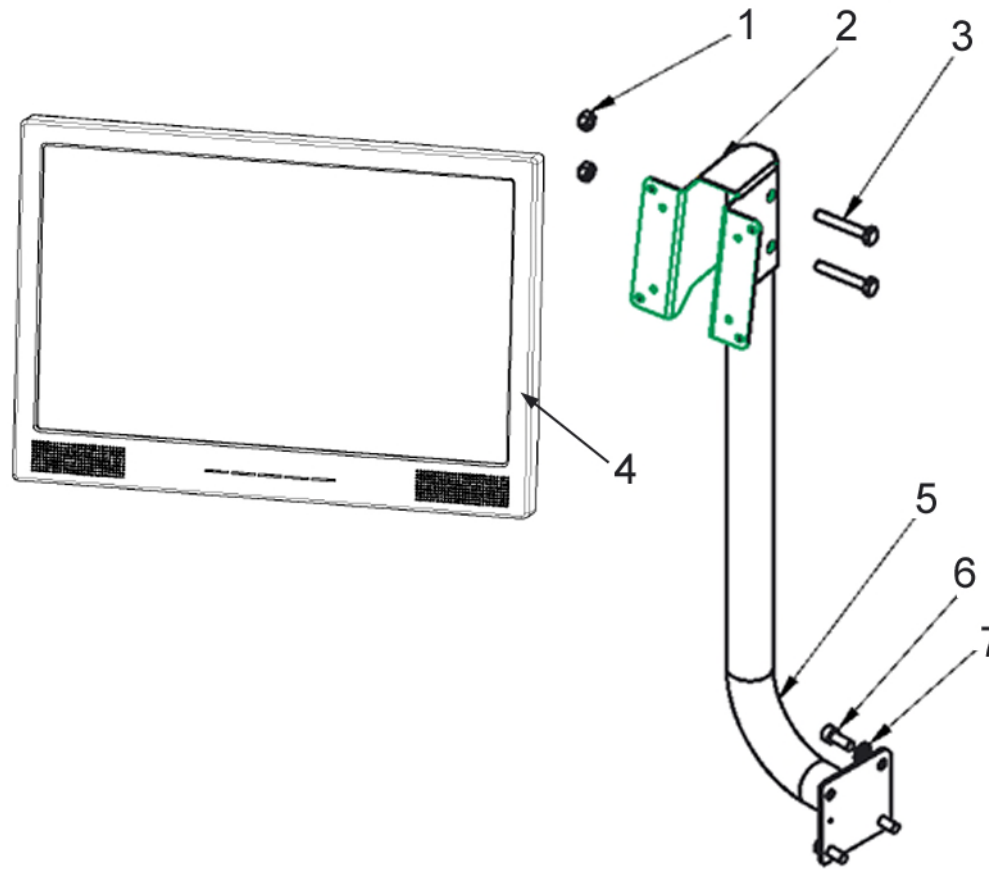
Ref	Qty	Part Number	Description	Ref	Qty	Part Number	Description
1	1	EAA0471G16A	Stand. Sape 1D-2D Assy	19	1	1-3824	Screw
2	2	1-22623A	Screw, Phil Pan H.Tapp	20	2	EAA0266D20A	Potentiometer Unit With Nut
3	1	EAM0086G85A	Distance Scale Decal (mm)	21	2	2-07657A	Clamping Device
4	4	1-9641	Washer	22	1	1-13377A	Circlip For Shaft
5	1	1-7810	Set Screw Flat Point Zinc.	23	3	1-22003A	Screw 6X16 10K
6	4	EAM0005D35A	Guiding Reel	24	2	1-17726A	Screw Tps
7	1	EAC0058D06A	Return Pulley	25	1	EAC0058D58A	Safety Cover
8	1	1-08167A	Stand. Sape Tension Spring	26	3	1-9933	Nut, Prevailing Torque M6
9	1	1-11233	Nut - M3 White Zincked	27	2	1-11726A	Screw For Plast. Phil. Pan
10	0.6	6-00604A	Rope Spectra 1000 D 0.6	28	1	EAC0058D12A	Cog Wheel 56 Teeth
11	1	EAC0058D11A	Feeler Disk	29	1	EAC0058D13A	Wheel Gear
12	1	EAC0054P01A	Arm, Axcel Caliper	31	1	EAM0068G76A	S2-D2 Bushing
13	1	1-3624	Screw Polyplast	32	1	1-13865A	Bushing
14	1	EAC0058D09A	Register, Ejection	33	1	EAM0125G68A	Machined M2 Sape Support
15	2	1-10141A1	Washer	34	1	EAM0053G16A	Standard. Rod Sape, S1
16	1	EAC0058D10A	Ring, Push	35	1	1-4577	Ring Snap
17	1	1-06868A	Spring, Compression	36	1	EAA0277D94A	Sape Arm w/ejector
18	4	1-13909	Screw				



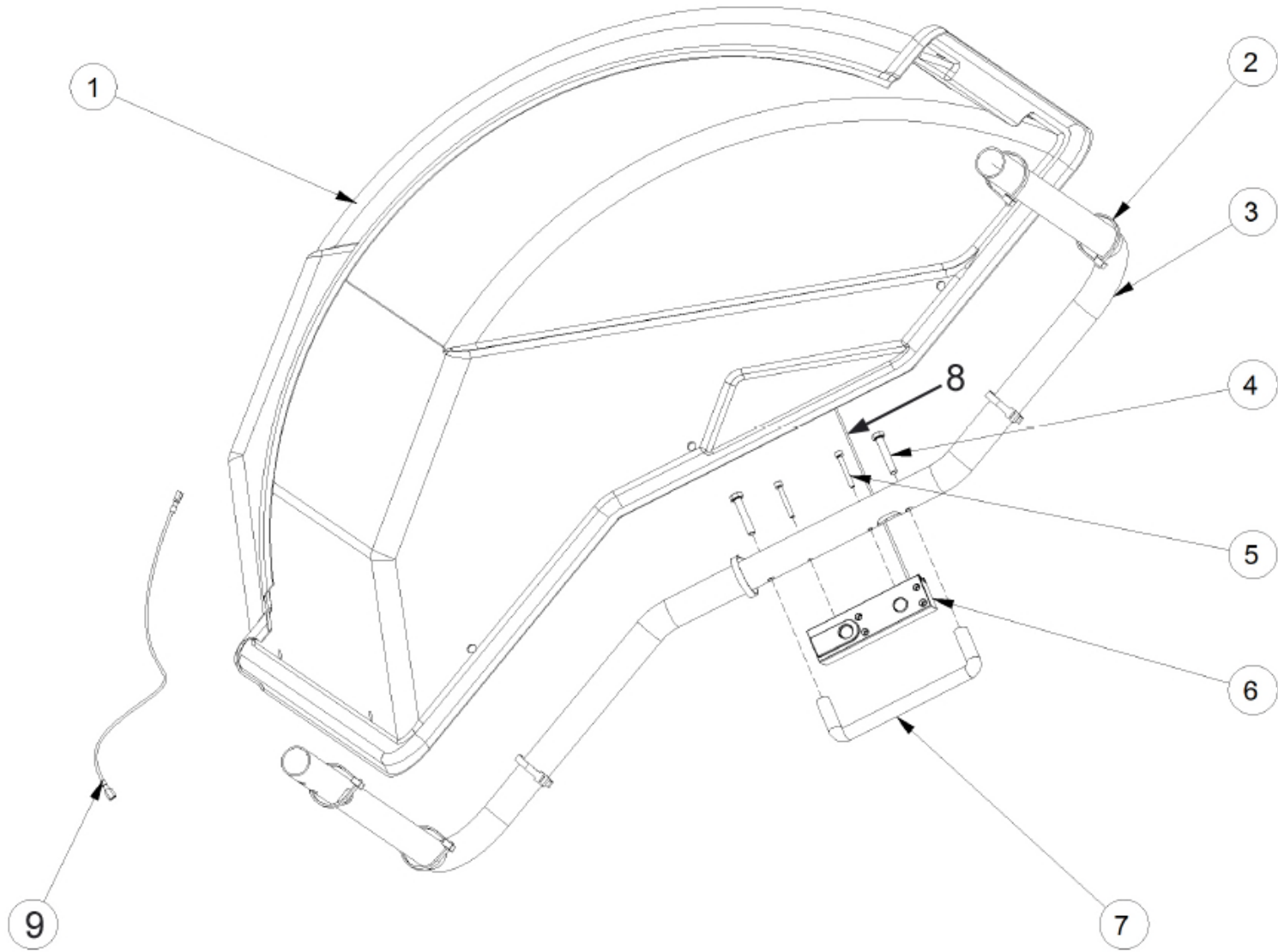
Ref	Qty	Part Number	Description	Ref	Qty	Part Number	Description
1	1	EAS2020P20A	Pedal	6	2	1-10041	Washer D 8
2	1	EAA0344G15A	Bowden Cable Assy	7	2	1-06768A	Compression Spring
3	1	EAM0053G06A	Spacer	8	1	EAS2027G18A	Pedal Holder
4	2	1-18209	Screw	9	2	1-16409	Screw
5	2	1-10033	Hex Nut				



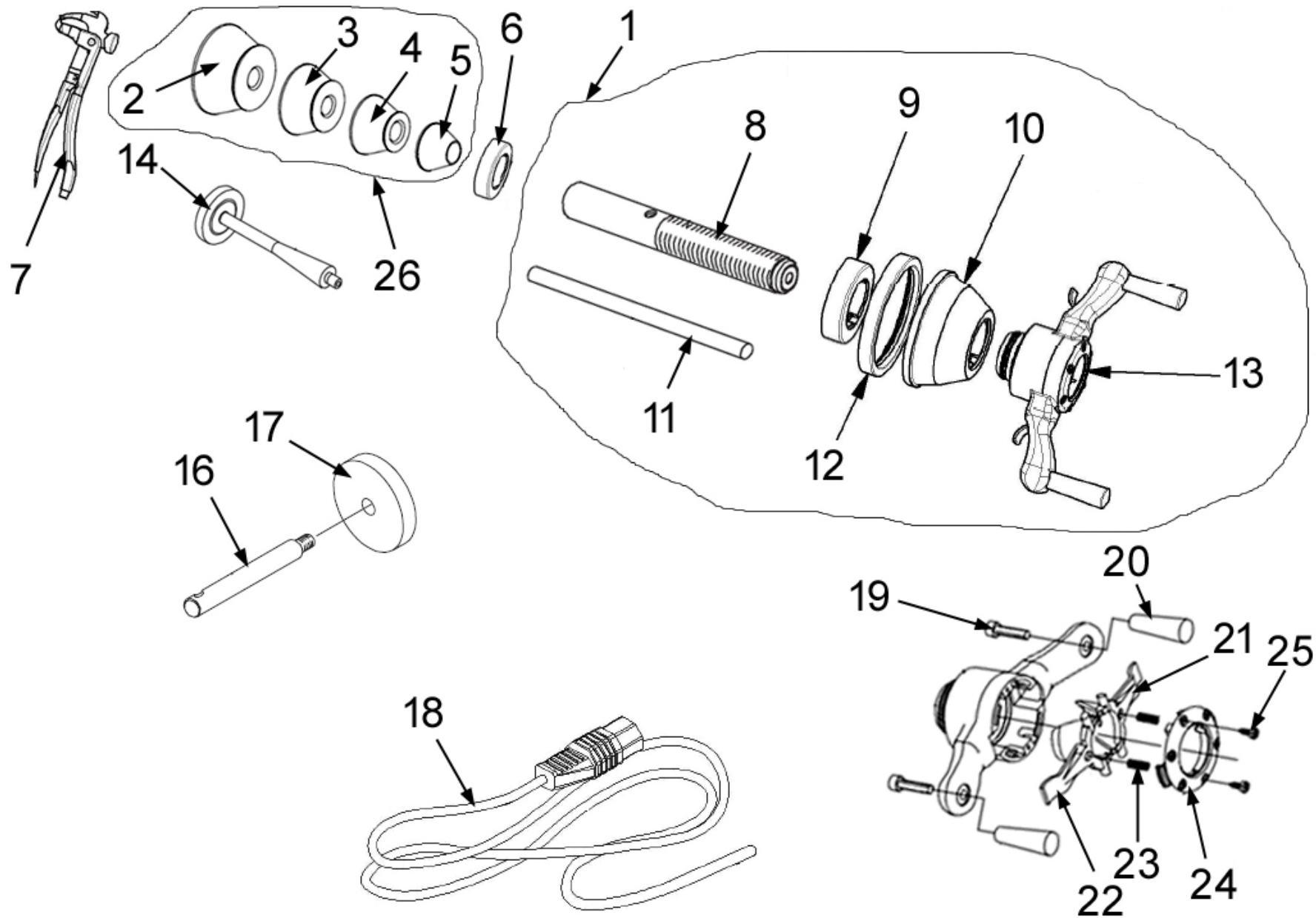
Ref	Qty	Part Number	Description
1	1	1-01530	Eyebolt-M8 X 50
2	1	1-04267A	Spring-Torsion
3	1	1-06769A	Gas Spring
4	1	1-10033	Nut. Hex, M8
5	10	1-10041	Washer D.8 Uni6592-69/Din125
6	4	1-10141	Washer, Plain Din 125A
7	2	1-15033	Nut-Keps, M3 - .5
8	4	1-15933A	Nut - Hex, M8
9	1	1-12452	Pins - Straight Slotted 8X45 Din 1481
10	1	1-7558	Pop Rivet-3/16"
11	4	1-17709	Screw - Shcs M8 X 20mm
12	2	1-18209	Shcs-M8 X 45
13	2	1-8133	Nut & Washer Assy 3/8 - 16
14	2	1-1101	Screw - Hhms 3/8 - 16 X 2.00
16	1	1-22441A	Shim Ring 32X45X1
17	6	1-12624A	Screw - Thread Forming, M4X.07
19	1	1-47810	Screw, Set, Flt Pt M8 - 1.25 X 8mm
20	2	1-7104	Screw - Pan Hs, M3 X 30
21	2	1-9541	Washer-Flat,M3 Din 125A
22	1	2-23201	Terminal Lug Pop Rivet
23	1	EAW0233J08A	Cable-Switch Assy
24	1	8-15218A	Bumper 40X25 / M8
25	1	EAC0053J16A	Microswitch Plate
26	2	EAC0058D36A	Wheelguard Bushing D.32
27	1	EAC0058D38A	Schaltring Switch Segment
28	2	8-7216	Plug-Hole, 16mm Dia
30	1	EAM0084J39A	Shaft Stop Block
31	1	EAS2128J43A	L.E. Video Back Pack
34	1	EAS2128J41A	Backpack Lid



Ref	Qty	Part Number	Description
1	2	1-10033	Nut-Esna M8
2	1	EAS2128J53A	Mount Monitor Vesa
3	2	1-39901A	Screw-M8 X 50 Hex Hd Blk
4	1	3-03808B	Monitor
5	1	EAS2128J52A	Pipe Assy Monitor Support
6	4	1-17709	Bolt-M8 X 1.29 X 20mm
7	4	1-10041	Washer, Plain M8



Ref	Qty	Part Number	Description	Ref	Qty	Part Number	Description
1	1	EAC0100G21A	Hood 42"	6	1	EAA0373G96A	Sonar Box Assy
2	7	5-03345A	Cable Tie, Plastic	7	1	8-09233A	Plastic Handle
3	1	EAM0076G34A	Wheelguard Tube	8	1	EAW0283G77A	Sonar Sensor Cable
4	2	1-18209	Shcs-M8 X 45	9	1	EAW0283G76A	Sonar Sensor Cable Extension
5	2	1-15509	Screw Hshc 5X40 8G Zinc				



Ref	Qty	Part Number	Description
1	1	EAA0263G79A	Quick Nut Kit
2	1	EAM0003J69A	Truck Cone 3.42" - 5.25"
3	1	EAM0005D25A	Cone 3.78" - 4.57"
4	1	EAM0005D24A	Cone 2.83" - 3.90"
5	1	EAM0005D23A	Cone 1.65" - 3.03"
6	1	EAC0058D68A	Spacer ring
7	1	00058839000	Weight Pliers
8	1	EAM0021D90A	Stub Shaft 40 mm
9	1	EAC0058D08A	Pressure ring
10	1	EAC0058D07A	Pressure cup
11	1	EAM0005D34A	Rod for Fastening shaft
12	1	EAC0058D15A	Pressure cup cushion
13	1	EAA0263G66A	Quick Nut
14	1	EAM0005D40A	Calibration Weight
16	4	EAM0006G01A	Hook storage
17	4	EAC0060G02A	Rubber pad
18	1	EAW0290J26A	Power Cord 5 meters
19	2	1-54709A	Screw
20	2	ST0027008	Handle
21	1	6409019	Clamping jaw Pin side
22	1	6409020	Clamping jaw V side
23	2	1611128	Spring
24	1	EAC0060G23A	Cover
25	2	1-18623A1	Screw
26	1	EAK0309J28A	4 cone kit



Notice: The information contained in this document is subject to change without notice. Hofmann makes no warranty with regard to this material. Hofmann shall not be liable for errors contained herein or for incidental consequential damages in connection with furnishings, performance, or use of this material.

309 Exchange Ave
Conway, AR 72032
501-450-1500

Geodyna 7200s Spare Parts List

TEEWB746AS3_TS

DSS

11/2022